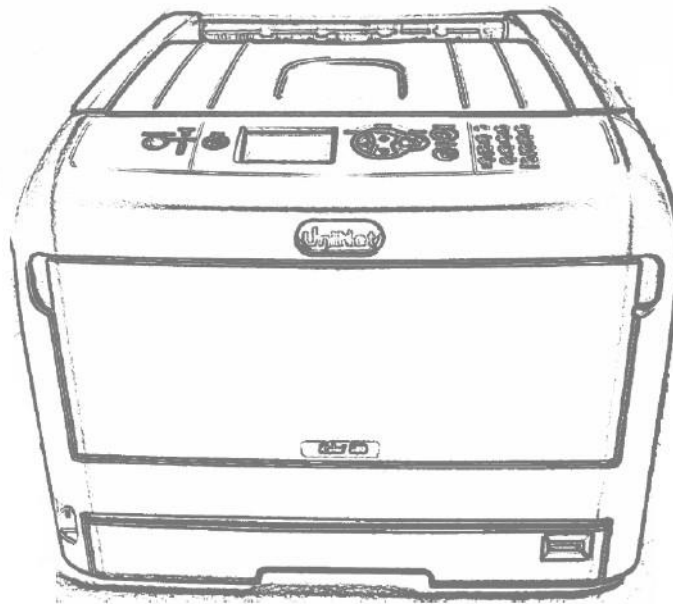


# UniNet<sup>®</sup>

## iColor<sup>®</sup>

PRINTING SOLUTIONS

### iColor<sup>®</sup> 600 A3 / Tabloid Digital Color + White Transfer Media Printer User Manual



# Table of Contents

iColor® 600 Model Summary	Page 3
Installing Consumables	Page 4 - 8
Printer Software Installation Instructions – USB Connection	Page 9 - 11
Printer Software Installation Instructions – Network Connection	Page 12 - 14
iColor® TransferRIP Information	Page 15 - 16
Printing with Fluorescent and Dye Sublimation Toner	Page 17
Replacing toner and drum cartridges	Page 18
Setting the MP Tray	Page 19 - 23
iColor® 600 Printing Tips	Page 23
iColor® 600 Printer Specifications	Page 24

Refer to the included Flash Drive that shipped with your printer for in depth instructions. iColor® TransferRIP license code will also be provided on the drive.

April 2017 Edition – A newer version of this manual may be available at [www.icolorprint.com/support](http://www.icolorprint.com/support)

# iColor® 600 Tabloid Digital Color + White Transfer Media Printer

The iColor® 600 printer has been developed to produce high-quality color prints with the added functionality of printing in white as a spot color, underprint or overprint in one pass with the included iColor® Transfer RIP Software.

Please follow the enclosed quick setup guide to get started. The standard user manual (provided on CD enclosed) will provide detailed instructions for full printer functionality. The iColor® 600 comes complete with 4 toner cartridges for full color with white printing (CMYW), as well as a true black printing kit (toner and drum combination). Simply swap the white for black when white is not needed, for true black printing. With the white cartridge installed, black is produced using composite black (made from CMY).

You will also have the option to add the fluorescent toner or dye sublimation toner upgrade kits, as well as the exclusive iColor® security and clear toner options at any time.

Please note that vector and line art images, including text, are likely to produce the best results. For exciting design ideas and suggestions for using the iColor® 600 for maximum effect, please visit our website at [www.icolorprint.com](http://www.icolorprint.com).

iColor® Premium Transfer media has been optimized to provide quality results when used with the printer, enabling the user to produce eye-catching designs which may be applied to a variety of textiles and surfaces.

## **What's so unique about the iColor 600 Digital Color + White Transfer Media Printer?**

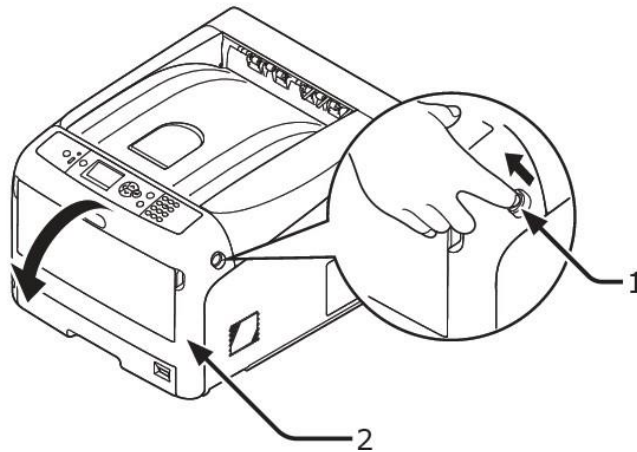
- The smallest form factor and lightest weight printer available for tabloid sized printing.
- The ability to print white as an underprint AND an overprint in the same machine, in one pass, using the iColor® TransferRIP software (known as 'A' and 'B' configurations).
- The white opacity of UniNet's unique blend of toner is double that of any other brand, giving you the brightest whites and solid background to bring out the vibrancy of your colors.
- The true black cartridge is included with the printer, allowing you to switch to CMYK mode to print items such as brochures and menus when white is not needed.
- Optional dye sublimation, fluorescent, security and clear toner cartridge options.
- Lowest cost and most flexible machine available.
- No maintenance associated with ink based machine is necessary. The iColor 600 is a toner based system.
- Large array of media available for virtually any project.
- Global sales, support and service direct from UniNet or its dealer network.

# Installing Consumables

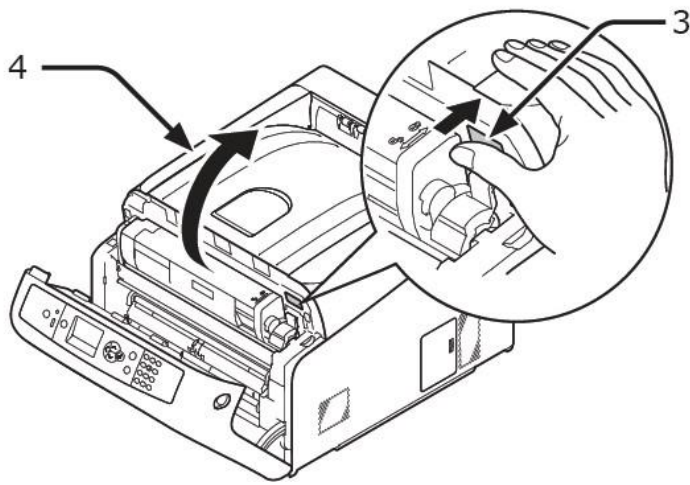
- 1 Insert your finger into the recess on the right side of the printer and pull the front cover open lever (1) to open the front cover (2) forward.

**! Note**

- Open the front cover gently. If opening rapidly, an MP tray may open.

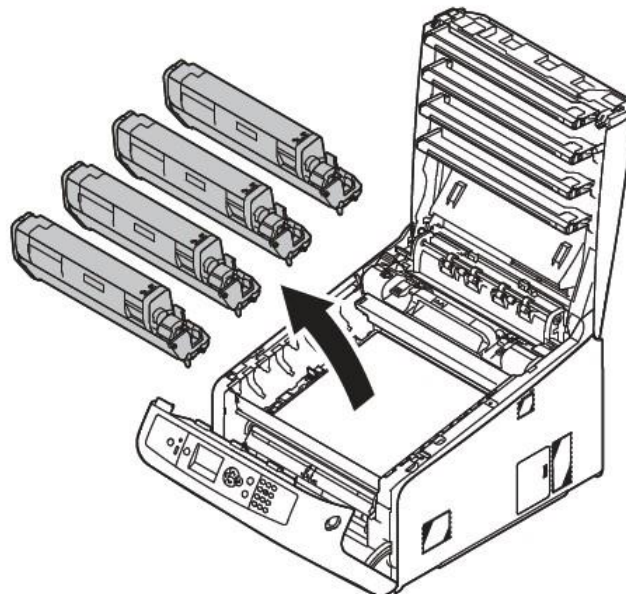


- 2** Press the top cover open button (3) and open the top cover (4).



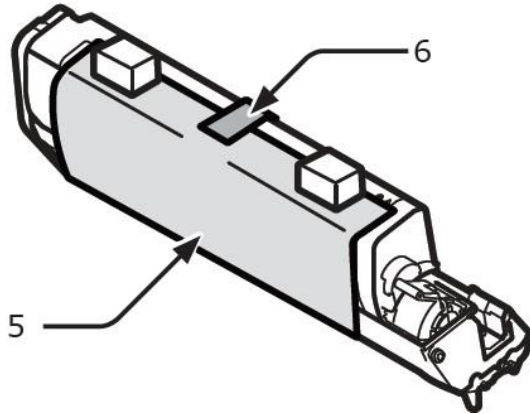
**NOTE:** The white cartridge that came preinstalled in your machine is already in the locked position. Just remove the protective covering - it is not necessary to turn the blue lever. Doing so can cause toner to spill.

- 3** Take out all four image drums from the printer.

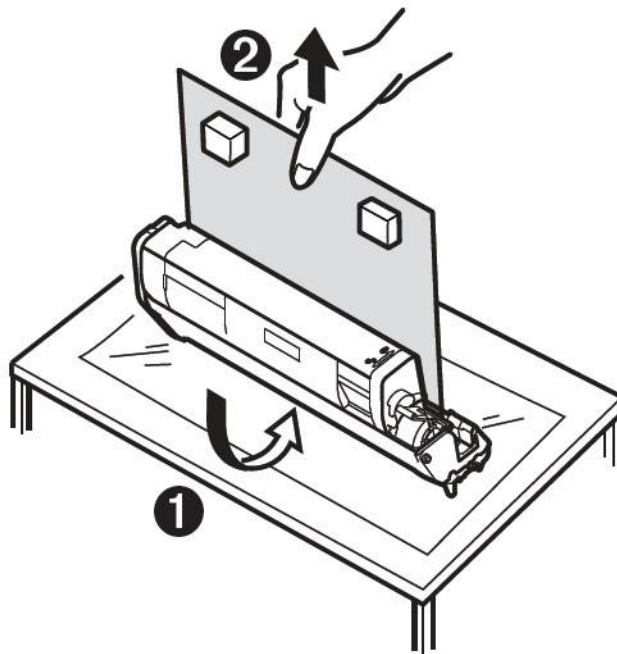


**4** Remove the protective sheets from four image drums.

**(1)** Place an image drum on a newspaper. Remove a tape (6) stuck on a protective sheet (5) and open it.



**(2)** Pull out a protective sheet to the direction of the arrow.

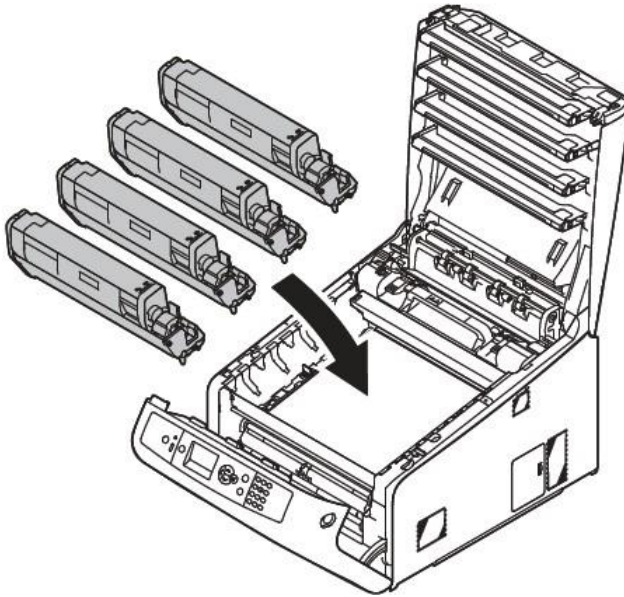


**! Note**

- Do not turn the blue lever of the toner cartridge.

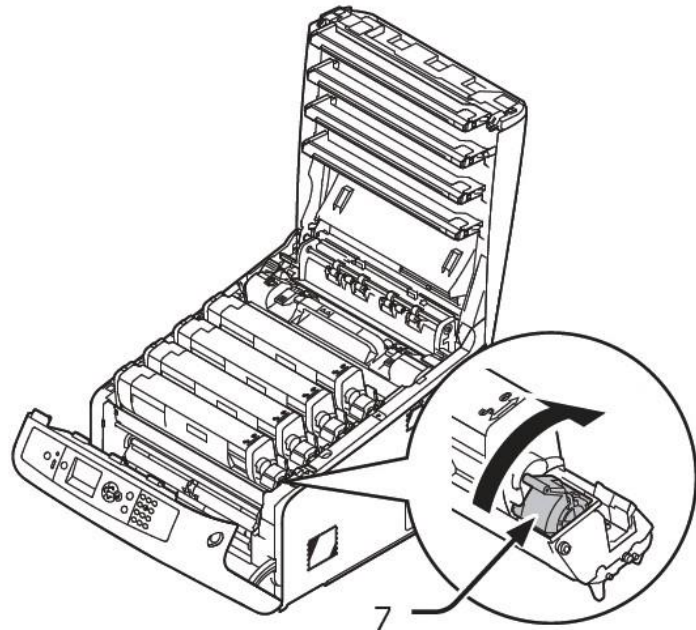


- 5** Put all four image drums back into printer.

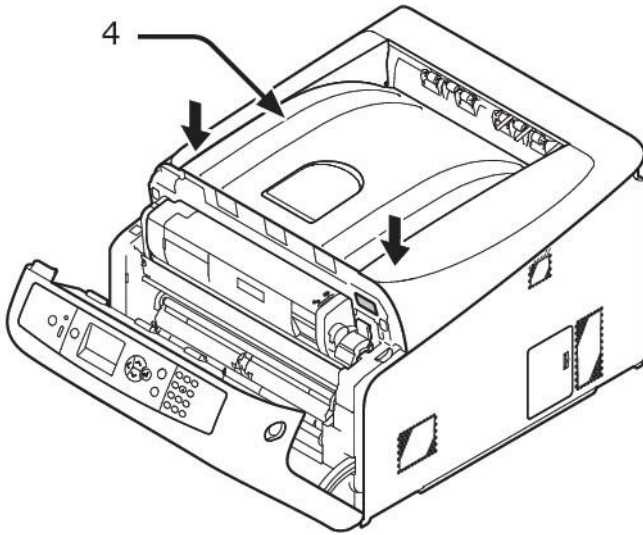


- 6** Turn the blue lever (7) of the toner cartridge in direction of the arrow fully. Turn the levers of all four 4 toner cartridges.

**NOTE:** Only turn the blue lever on the toner cartridge AFTER it is reinstalled into its corresponding drum unit. Turning the blue lever while disengaged from the drum unit will open the supply and cause the toner to dump out of the cartridge.



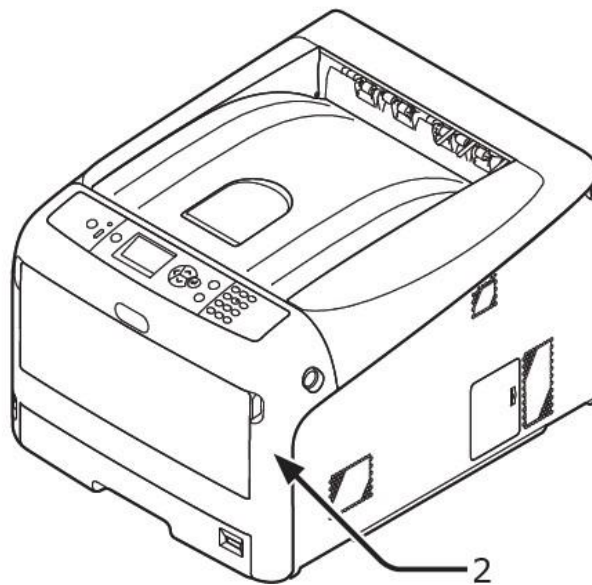
- 7** Close the top cover (4) by pushing the both sides of the cover firmly.



- 8** Close the front cover (2).

**! Note**

- The front cover cannot be closed securely if the top cover is not closed.
- When the error message that the top or front cover is open does not disappear from the operator panel's display screen, make sure they are closed securely.





# Installing iColor® 600 printer on a PC

These following instructions are for Windows 7, 8, and 10 via USB and Network. **You must have Administrator privileges on the computer to proceed.**

## USB Setup:

1. Unpack the printer according to the Set-up Guide. **Do not turn on or connect your iColor® printer to the computer until the install program asks you to do so.** Doing so can cause errors during installation.
2. Locate the installation file on the USB drive or CD that was shipped with your printer and double click to launch the setup program.



3. Click continue to install the iColor® 600 driver.



4. Agree to the terms of the Software License Agreement, then click next to start the driver installation wizard.



5. Chose 'Easy Installation (Local) for USB Setup.



6. Once the following screen has been reached, it is now safe to connect the printer and computer via USB and power on the printer.



7. Click finish to complete the installation, or simply allow the screen to close automatically.



## Network Setup:

1. Unpack the printer according to the Set-up Guide. Connect the printer to your network via CAT 5 cable and power on the printer. Your network will automatically assign an IP address to the printer, but it is suggested that you program a static IP address to the printer to avoid possible reassignment of the IP address should the machine be powered off.
2. Locate the installation file on the USB drive or CD that was shipped with your printer and double click to launch the setup program.



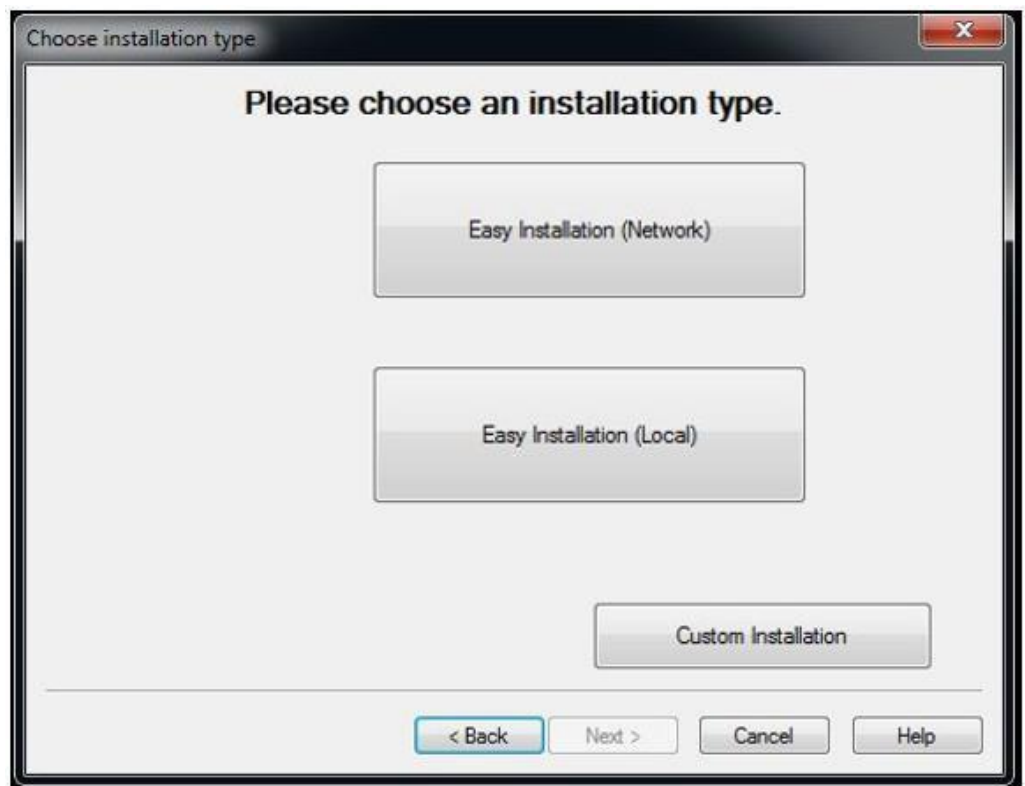
3. Click continue to install the iColor® 600 driver.



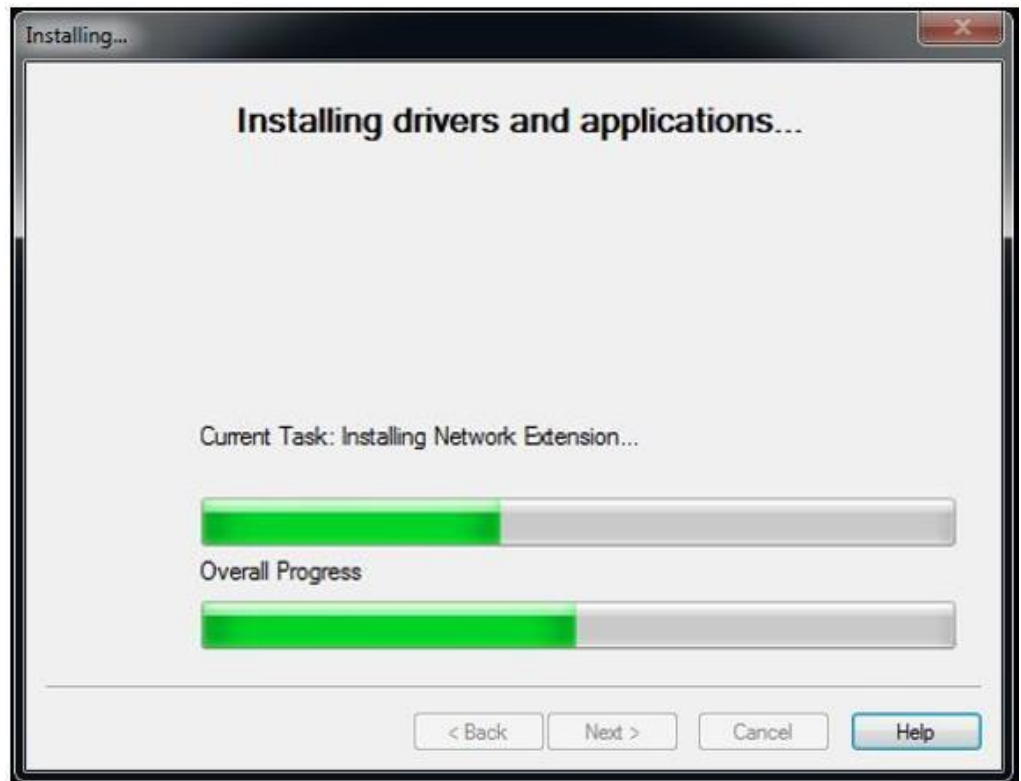
4. Agree to the terms of the Software License Agreement, then click next to start the driver installation wizard.



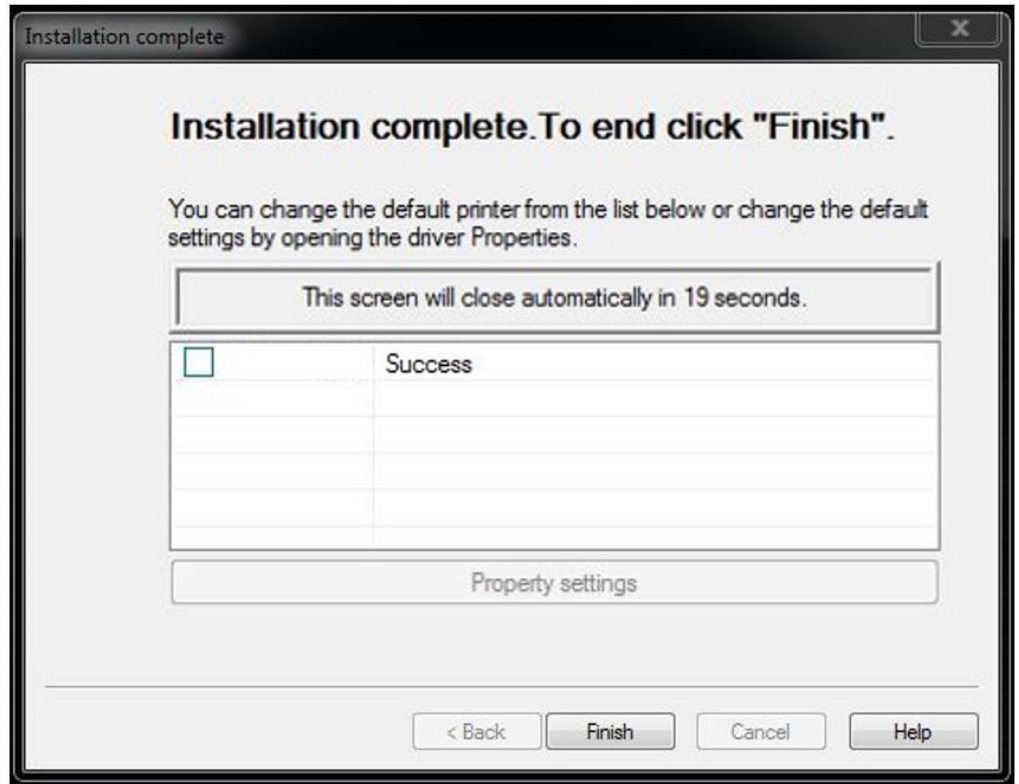
5. Chose 'Easy Installation (Network)' for Network Setup.



5. The software will search and detect the printer on your network (identified as C831). Highlight the printer, click next, and the software will be installed.



6. Click 'finish' to complete the installation, or simply allow the screen to close automatically.





7. Your printer will now be listed along with your other printers and devices.

Printers and Faxes (9)



8. You are now ready to install the iColor® TransferRIP software. Installation software and instructions would be on the flash drive that came with your printer, or they may have been emailed to you by your dealer.



## Why use the iColor® TransferRIP?

Use the iColor® TransferRIP software to print fluorescent white as an underprint or overprint in one pass.

The iColor® TransferRIP software allows the user to manipulate the white layer behind the graphic for printing on dark or transparent media where white is needed as a background color. Two cartridge configurations are available to easily adjust for reverse printing, where white is needed as a top color for apparel. No need to create additional graphics with different color configurations – the software does it all – and in one pass! Enhance the brilliance of any graphic with fluorescent white behind color

### Print and Transfer onto:

- Natural and synthetic fabrics
- Dark and light fabrics
- Beer, wine and juice bottles
- White, colored or clear labels
- Leather
- Dark and light paper stock
- Mugs and ceramics
- Banners
- Wood
- Acrylic
- And much more!

### Create unique items - The possibilities are endless!

- T-shirts and sweatshirts
- Aprons
- Dark restaurant menus with fluorescent white print
- Corporate logo shirts
- Mouse pads
- Sports apparel
- Jackets
- Tote bags
- Signs with colored, white or fluorescent toner
- Labels
- Tattoos

The iColor® TransferRIP is the magic behind one pass printing with white as an underprint or an overprint. The most important point of the iColor® TransferRIP software is that it allows colors to be put down in layers. Regular printer drivers only concern themselves with what the eye sees on the top layer, the RIP allows you to separately control each layer, thus giving you the ability to control not only what you see, but what is behind that top layer (typically the white layer). The iColor® TransferRIP gives you the unique ability to use one machine to print images with white as an underprint or an overprint. You can now print vibrant colors on clear or dark media regardless of the background to which it is applied, where the white is put down first and the colors afterwards. The iColor® TransferRIP 'Color Mapping' feature also allows for 'Reverse Printing' when printing and transferring to garments where white is put down last. This is the only way to achieve white underprint and overprint in one pass, and you will not find another machine on the market today that can do all of this. The software also allows for color manipulation and removal, cost estimation, rasterization and advanced layout tools. It ships standard with the iColor® 600.

To accomplish these two features, UniNet has created two configurations to suit any printing project:

'A' Configuration is for right side printing and allows for printing white as an underprint in one pass (typically used for transparencies, clear labels, dark media, clear acrylics or Aqua Clear paper). The black and white cartridges can be swapped within the first slot depending on your needs. This configuration is for printing standard CMYK images when the black is installed or CMYW images when white is installed. When the white is installed in the black slot, this is configured for 'Right Side Printing' where the white is printed first, as an underprint, all in one pass. In this situation, the RIP converts pure K colors to CMY composite black, and puts in white not only as a background color but also in the image where white or page white is specified.

'B' Configuration allows for printing white as an overprint in one pass for reverse printing (typically used for transfer printing). This configuration calls for a special second set of white and cyan toner and drum cartridges. For the 'B' Configuration, the white cartridge is placed in the last slot (cyan station) and the cyan cartridge is placed in the first slot (black station) of the printer. The Color Mapping feature explained in this manual overrides the basic driver of the printer and automatically sends the proper color to the proper channel. This configuration is for garment printing where white is needed as an overprint, applied on top of all the other colors. When the image is pressed to the garment, the transfer sheet is flipped over and the white becomes the underprint.

This is especially important where images have half tones and 100% transfer of the image is an issue or when there is white in the image that needs to show through for dark colored garments.

Visit [www.icolorprint.com/support](http://www.icolorprint.com/support) for full written and video instructions on the iColor® TransferRIP software

## Printing with Fluorescent Colors

Instantly transform your iColor® printer into a fluorescent printer where the printed images produced will glow brightly under UV light. The upgrade kit consists of 3 toner and 3 drum cartridges (CMY) and is shipped in 6 separate boxes. Simply remove and store the standard CMY toner/drum cartridges and swap with the fluorescent kit to instantly print with UV sensitive toner while using the standard black cartridge in place. The white cartridge that shipped with your iColor® 600 printer can also be used if a white overprint is required.

Operating on the same application principles as standard toner that ships with your machine, you can print and/or press onto virtually any surface using the appropriate transfer paper – or print directly onto paper, transparencies and label stock regardless of which printer is being used. Be sure to design your graphics with bright colors – avoid dark or black colors (unless specifically wanted), as those will not fluoresce well and may not look good as a final product. Most fluorescent images will be placed on a black or dark colored garment, so black would not be suggested in these cases anyway.

Specific installation instructions can be found at [www.icolorprint.com/support](http://www.icolorprint.com/support)

## Printing with Dye Sublimation Toner

Instantly transform your iColor® printer into a sublimation printer. The upgrade kit consists of 4 toner and 4 drum cartridges (CMYK) and is shipped in 8 separate boxes. Simply remove and store the standard cartridges and swap with the sublimation kit to instantly print and sublimate on coated materials.

Operating on the same application principles as standard ink sublimation systems, you must press onto white 100% polyester or sublimation coated materials for best results. 50/50 cotton poly blends may also be used for a lighter, vintage look. There is no white overprint option with sublimation, only CMYK prints are possible.

The iColor® Dye Sublimation Upgrade Kit has several unique advantages suited for a production environment:

- 1) Vastly faster print speeds: 35 pages per **minute** vs 34 pages per **hour** for ink (photo mode)
- 2) No clogged heads resulting from non-use. Toner based systems do not have this maintenance issue.
- 3) Longer expiration period
- 4) Much higher page yield: 5,000 pages standard toner vs 350 pages for starter ink

Specific installation instructions can be found at [www.icolorprint.com/support](http://www.icolorprint.com/support)

Ask your dealer about upgrading to security and clear toner options as well!

## Use Genuine UniNet iColor® Consumables

Only use genuine UniNet iColor® consumables. The use of incompatible supplies (toner, drums, transfer belts, fusers) will cause damage to your printer not covered by your warranty.

# Replacing toner and drum cartridges

Because the iColor® 600 features cartridge remapping to achieve a white underprint or overprint, it is important that you follow these rules when determining which color cartridge to order (pertains to both toner and drum units):

## **'A' Configuration Supplies Replacement Guide**

**This is for white UNDERPRINT when the white cartridge is installed**

Printer Display Reads:	Replace with:
Cyan low/out/empty	Cyan (Back of Printer)
Magenta low/out/empty	Magenta
Yellow low/out/empty	Yellow
Black low/out/empty	Black/White/Clear (check which cartridge is installed) (Front of Printer)

## **'B' Configuration Supplies Replacement Guide**

**This is for white OVERPRINT when the white cartridge is installed**

Printer Display Reads:	Replace with:
Cyan low/out/empty	Black/White/Clear (check which cartridge is installed) (Back of Printer)
Magenta low/out/empty	Magenta
Yellow low/out/empty	Yellow
Black low/out/empty	Cyan (Front of Printer)

### **IMPORTANT NOTES:**

- 1) When moving cartridges between 'A' and 'B' configurations, the toner and drum units must move as a set. Never disengage or turn the blue lever of the toner unit during this process. You cannot put the white toner cartridge into the cyan drum unit (or vice versa) as it will cause catastrophic contamination, rendering the drum unit unusable.
- 2) Always power down your printer before moving cartridges to prevent electrostatic damage.
- 3) When switching from A to B configuration or B to A configuration and also changing the white/black/clear cartridge, it should be done in two separate steps. It is not suggested to do this all at the same time. First switch the configuration, then power on the machine. Once it comes to ready, power down and swap the black/white/clear cartridge and power on again. Failure to follow this procedure could result in a cartridge error.
- 4) The black, white or clear cartridges can never be installed together. Only one of these 3 cartridges can be installed at any one time.

# Setting the Multipurpose tray to work with specific sized papers

iColor® transfer papers come in a variety of sizes, so it is recommended that you set the MP tray to the size of the paper that you most commonly use. If the MP tray identifies a paper that is not within its set parameters, the iColor® 600 printer will prompt you to press the online button after each print. Adjusting the settings will avoid this for the specific size you set.

The following instructions are for printers that have been set up within a network, using an IP address. Use your web browser to change the default settings:

- 1) From your web browser, go to 192.168.X.X (the specific IP address assigned to your printer)
- 2) Navigate to the admin menu and enter the username (root) and password (aaaaaa) (six lowercase letter a's)
- 3) Change all settings to match the following for Printer Menu > Tray Configuration:

[View Information](#) | [Print Information](#) | [Printer Menu](#) | [Admin Setup](#) | [Calibration](#) | [Direct Print](#) | [Job List](#) | [Links](#)

**Printer Menu**

- General Printer Settings
- Tray Configuration**
- System Adjust

### Tray Configuration

Tray	Paper Size	Media Type	Media Weight
MPTray	Letter Long Edge ▼	Glossy ▼	Heavy ▼
Tray1	Cassette Size ▼	Plain ▼	Medium ▼

\* If "Paper Size" is "Legal Paper", "Other Size" please click the following.  
» [Detail Settings](#)

### User Setting

You can set "Printing area".  
» [Specify custom paper sizes for each tray.](#)

### Paper Input Options

Tray Switch ?	Tray Select ?
Auto Tray Switch : On ▼	Paper Feed : MPTray ▼
	MPTray Usage : When Mismatching ▼
Tray Sequence : Down ▼	

- 4) With these settings in place, you will be able to print to the MP tray without pressing the online button at all (even for the first page out, it prints completely unattended). When using the printer without the iColor® TransferRIP, the printer will now always look for paper in the MPT first. If it does not find it there it will pull from the tray on bottom so this setting works great for all uses.
- 5) When using the iColor® TransferRIP, you should not check the 'Force Manual Tray' box and the input tray should be set to 'Printer Default'.

If you are not networking your printer, the following instructions are for printers that have been set up via direct connection using the USB port:

- 1) Press the 'Menu' button and scroll down to 'Menus' and press enter



- 2) Select 'Tray Configuration' and press enter





3) Select 'MPTray' and press enter



4) Select 'Paper Size' and press enter



5) Select 'Letter' and press enter (you may also select A4 if using Premium Paper most often)



6) Press back, select 'Media Type' and press enter



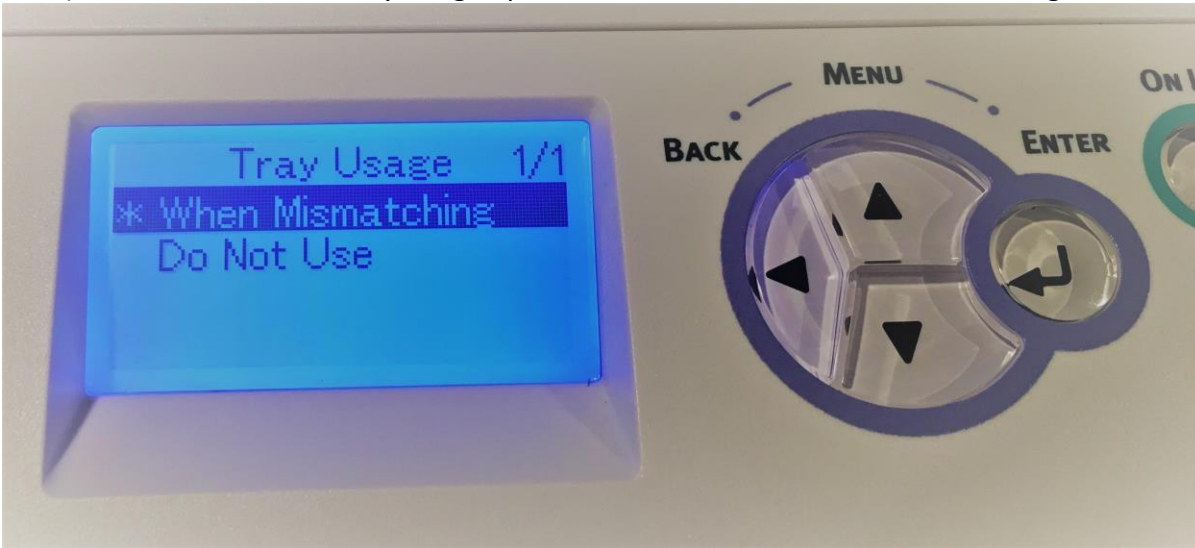
7) Select 'Glossy' and press enter (you may also choose another setting if desired)



8) Press back, select 'Media Weight', press enter and select 'Heavy'



9) Press back, select 'Tray Usage', press enter and select 'When Mismatching



10) Press the online button to return to the main screen. You are now ready to print on your preferred media through the MPTray without pressing online!

## Printing tips

There are many variables that could produce different results. Specific steps may need to be altered based on:

- Type and brand of Heat Press: The temperature and duration varies slightly based on the heat press being used. All instructions are based on using a Hotronix Fusion press. Clam shell and swing away presses may also yield different results.
- Type of image: Photos or full color graphics may require a longer press time than vector images or text
- Type of garment: Cotton, Polyester, and Spandex material all respond differently to heat. All instructions are based on cotton garments
- Toner Coverage: Halftones in image may cause undesired results. Toner coverage should not be less than 60%, otherwise there will be issues with transferring the adhesive to the transfer sheet. Halftones can be corrected when using the white overprint feature in the RIP. This will help with toner coverage and proper adherence to the garment.

Consult the iColor® knowledge base for specific instructions on a variety of transfer paper offered at: <http://www.icolorprint.com/support>

Technical Support Email: [support@icolorprint.com](mailto:support@icolorprint.com)

Technical Support Phone: 631-590-1040, Option 2

# iColor® 600 System Specifications

**Print Speed:** Print Speed: Letter/A4 – up to 35 ppm Color and Monochrome; Tabloid/A3 – up to 20 ppm (Transparency setting speeds may vary)

**Processor:** 800 MHz

**Duty Cycle:** Up to 75,000 pg/mo.

**Duplex:** Optional

**Memory:** Standard 256 MB; maximum 768 MB

**Resolution:** 1200 x 600

**Emulation:** PCL® 6, PCL 5c; PostScript® 3™

**Operating Systems:** Microsoft® Windows® 8, Windows 7, Windows Vista®, Windows XP, Windows Server 2008, Server 2008 R2 x64, Server 2003; Mac® OS X 10.5 and higher

**Interfaces:** 10/100-TX Ethernet, High Speed USB v2.0

**Multipurpose Tray:** Standard 100-sheet; handles transfer media, card and mailing label stock

**Paper Cassette:** 400-sheet Legal/Letter/Universal

**Paper Sizes (Min./Max.):** A3, Tabloid, A4 (LEF), A4 (SEF), Letter (LEF), Letter (SEF), A5, Legal 13/13.5/14, Executive and banners up to 52" long

**Paper Weight:** Main Tray 17 lb. bond – 54 lb. bond/ 80 lb. cover (64 – 220 gsm); 2nd and 3rd Trays 17 lb. – 47 lb. bond (64 – 176 gsm); Multi-purpose Tray 17 lb. bond – 140 lb. index (64 – 256 gsm); Duplex 17 lb. – 54 lb. bond/80 lb. cover (64 – 220 gsm)

**Size: (WxDxH):** 17.6" x 21.7" x 14.2" (449 mm x 552 mm x 360 mm)

**Weight:** 81.6 lb. (37 kg)

**Power:** 120v or 230v